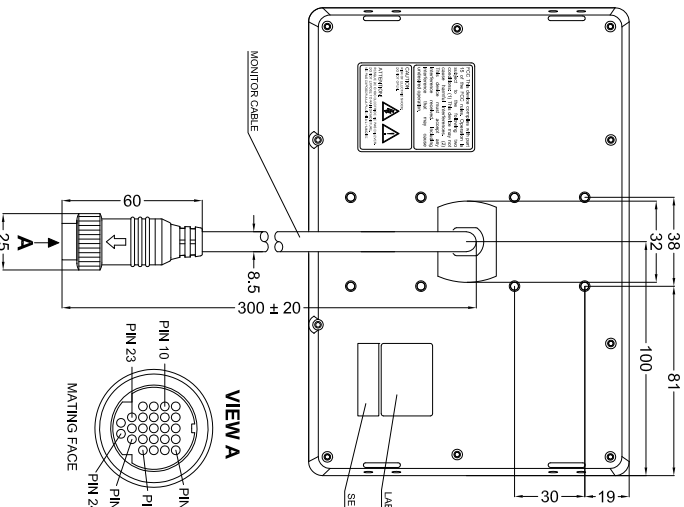
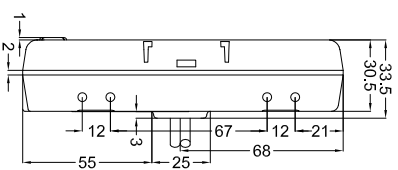
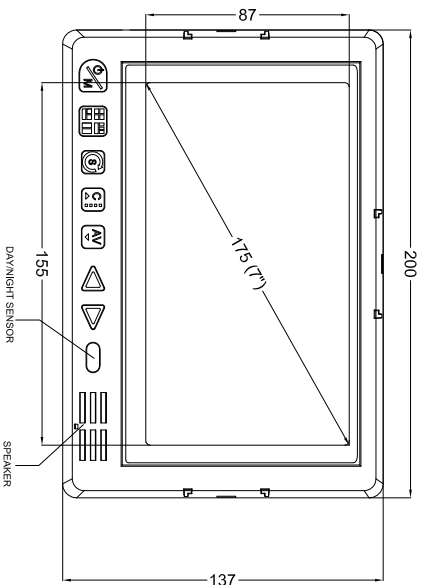
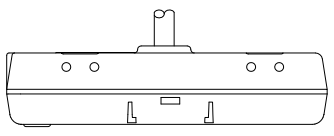
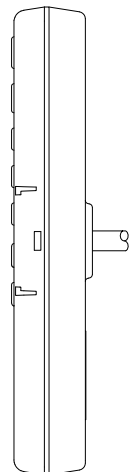
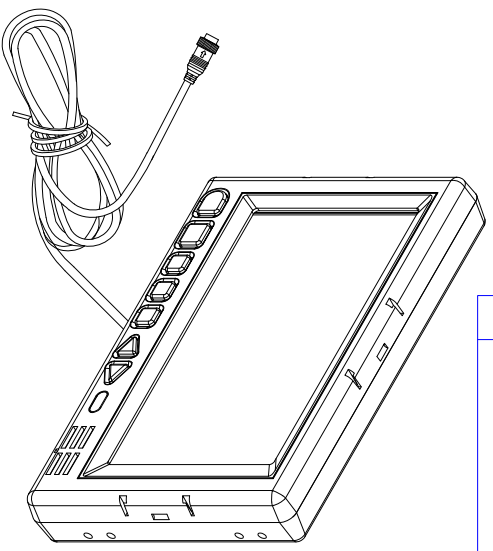


Revno	Revision note	Date	Signature	Checked
1	TOLERANCES ADDED. CABLE OUT RELOCATED. SUNSHIELD REMOVED. REAR VIEW ADDED.	09/04/09	DK	SM
2	ASSEMBLY PLANT NUMBER ADDED AT BOTTOM.	16/03/10	SM	DK



ITEM	QTY	DESCRIPTION
1	1	MONITOR
2	1	MONITOR
3	1	MONITOR
4	1	MONITOR
5	1	MONITOR
6	1	MONITOR
7	1	MONITOR
8	1	MONITOR
9	1	MONITOR
10	1	MONITOR
11	1	MONITOR
12	1	MONITOR
13	1	MONITOR
14	1	MONITOR
15	1	MONITOR
16	1	MONITOR
17	1	MONITOR
18	1	MONITOR
19	1	MONITOR
20	1	MONITOR
21	1	MONITOR
22	1	MONITOR
23	1	MONITOR
24	1	MONITOR
25	1	MONITOR
26	1	MONITOR

NOTES:
 DIMENSIONS IN MM
 LABEL LOCATION: REF TO BE-000744-00-09 (BE-970FM_#3132)_PROD-LBL)
 REFER TO "PRODUCT SPECIFICATION" FOR MORE DETAILS

PROPRIETARY NOTICE
 THIS DESIGN AND TECHNICAL INFORMATION APPEARING ON THIS DRAWING IS THE PROPERTY OF BRIGADE ELECTRONICS P.L.C. AND IS DISCLOSED IN CONFIDENCE. IT IS NOT TO BE COPIED, REPRODUCED, REVEALED TO OR APPROPRIATE BY OTHERS, EITHER IN WHOLE OR IN PART, WITHOUT THE EXPRESS WRITTEN CONSENT OF BRIGADE ELECTRONICS P.L.C.

Item	Quantity	Title/Name, designation, material, dimension etc	Article No/Reference
1	1	MONITOR	25/09/09
2	1	MONITOR	25/09/09

Designed by	Checked by	Approved by	Date	Scale
M.BUTLER	DKERAI	S.MATHREYS - 25/6/9	25/09/09	N/A

BRIGADE ELECTRONICS	BE-970FM (#3132)	Revision	Sheet
		A	1/1

ASSEMBLY PLANT REF: STM-704Q
BE-000735-02-09